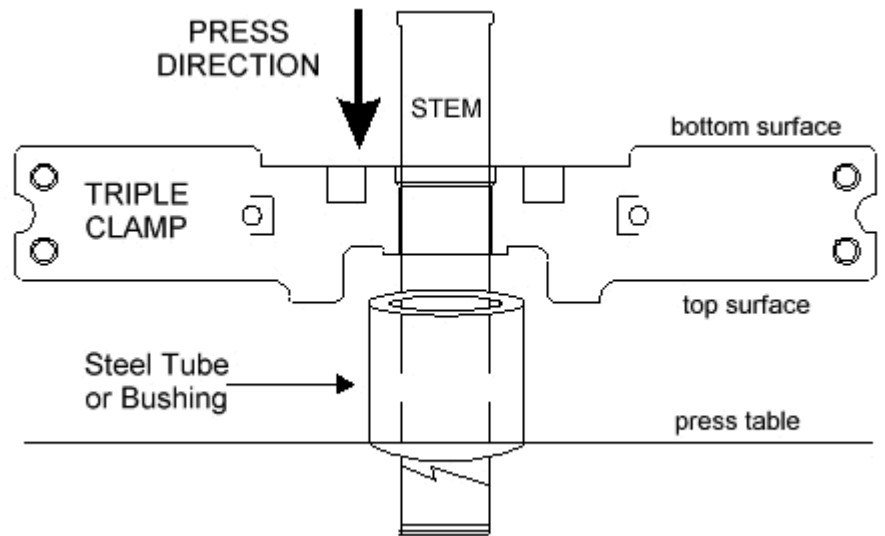
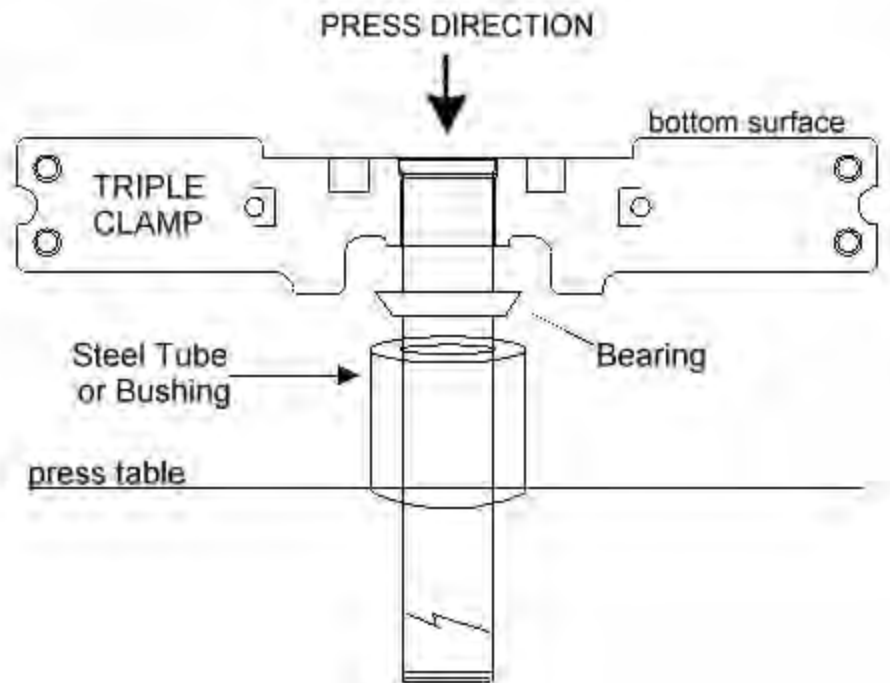


STEM INSTALLATION

1. Place the stem in the new clamp. Support the stem around the lower bearing surface with a bushing or steel tube, and position the clamp upside down so that the stem goes through the underside of the press table.
2. Press the stem downward until it is the correct position. The place where the stem stops inside the bore varies by model of bike.



3. To install the bearing, use a support tube that makes contact with the bearing inner race (NOT THE CAGE) when slipped over the steering stem. See photo at left. Position the clamp and steel tube on the press table bottom side up.



4. Press on the bottom side of the stem, pushing it downward, until the bearing fully contacts the surface of the triple clamp.

